

## THERMOSTATIC STEAM TRAPS AND AIR ELIMINATORS TH 21 (DN 1/2" - DN 15)

**DESCRIPTION**

The TH21 series thermostatic steam traps and air eliminators are specifically designed for use on process equipment such as kettle cookers, sterilizers, food, chemical and laundry equipment.

Connections are female screwed or flanged.

**MAIN FEATURES**

Modulating discharge.

Discharges condensate close to steam temperature.

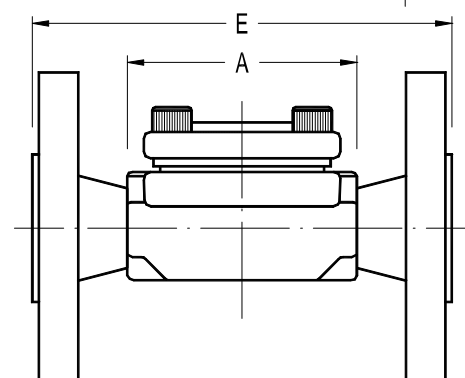
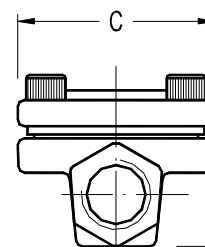
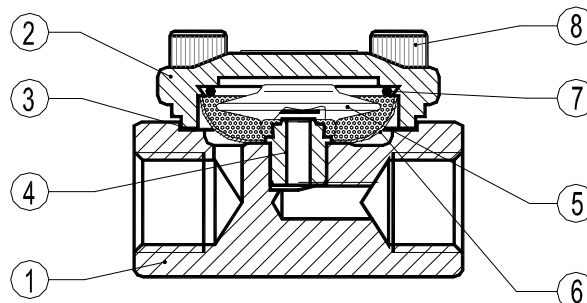
Thermostats for different sub cooling (5°K to 30°K).

Excellent air discharge .

Operates on moderate superheated steam.

Built-in strainer.

**OPTIONS:** LC-low capacity  
**USE:** Saturated steam.  
**AVAIL.MODELS:**  
**SIZES:** TH21 ,TH21LC  
**CONNECTIONS:** DN 1/2" ; DN15  
 Female screwed ISO 7/1 Rp (BS21)  
 Flanged EN 1092-1 PN25 or ANSI



BODY LIMITING CONDITIONS		
FLANGED PN25 *	FLANGED ANSI 150 **	RELATED TEMP.
ALLOW. PRES.	ALLOW. PRES.	
23,2 bar	15,4 bar	100 °C
20,8 bar	13,8 bar	200 °C
19 bar	12,1 bar	250 °C
17,2 bar	10,2 bar	300 °C

PMO - Max. op.pressure 21 bar;TMO - Max. Op.temperature 250 °C

\* According to EN1092-1:2007 ; \*\* Acc. to EN1759-1:2004

Body limiting conditions PN25 or below, depending on the type of connection adopted. Rating PN25 for thread.

MATERIALS		
POS.Nr.	DESIGNATION	MATERIAL
1	Body	P250GH / 1.0460
2	Cover	P250GH / 1.0460
3	* Gasket	St.St./Graphite
4	Valve seat	AISI304 / 1.4301
5	* Thermostatic element	Stainless steel
6	* Strainer screen	AISI304 / 1.4301
7	* Spring	AISI302 / 1.4300
8	Bolts	Steel 8.8

\* Available spare parts

DIMENSIONS (mm)									
Screwed					EN PN16 / 40	ANSI 150			
SIZE DN	A	B	C	D	WGT. Kgs	E	WGT. Kgs	E	WGT. Kgs
15-1/2"	70	35	60	15	0,7	130	2,2	130	1,7

FLOW RATE CAPACITY IN Kgs/h																
MODEL	SIZE	DIFFERENTIAL PRESSURE (bar)														
		0,2	0,3	0,5	1	1,5	2	3	4	6	8	10	13	15	20	21
TH21	1/2" - 15	70	120	140	255	330	385	455	510	600	670	700	720	750	775	795
TH21LC	1/2" - 15	45	55	70	95	125	135	180	200	270	315	330	360	370	405	415

Capacities shown refer to condensate at 10°C below saturated steam temperature (standard type-S thermostat) .

Thermostats for 5° C type-H and 30° type-L, also available. Capacities for cold condensate discharge at 20°C are two to three times greater.